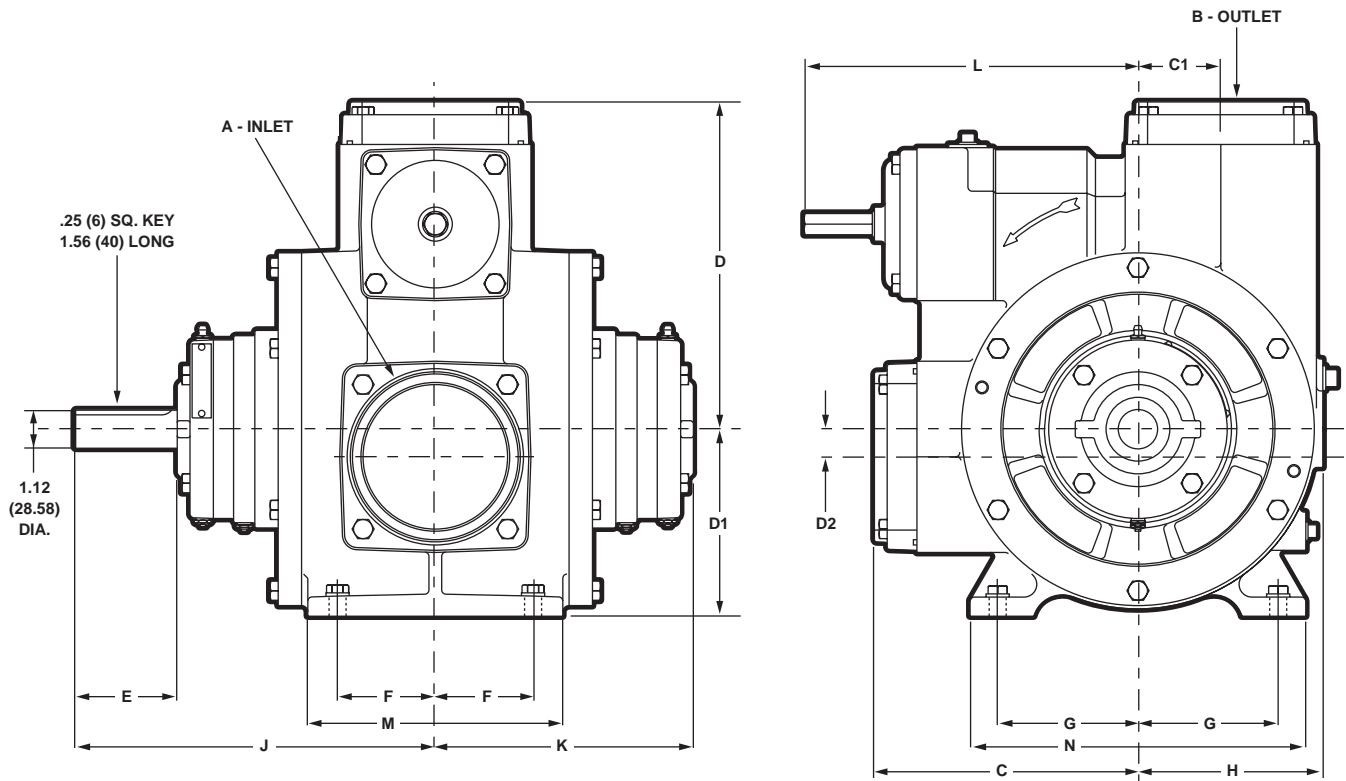


# Industrial Vane Pump Data / Dimensions 1

## CPBN/CDBN



MODEL	A INLET	B OUTLET	C	C1*	D	D1	D2*	E	F	G	H	J	K	L	M	N
CPBN0521 (In/mm)	STD: 2" NPT OPT: 2-1/2" NPT 3" NPT	STD: 2" NPT OPT: 2-1/2" NPT 1-1/2" NPT	6.13 157	0 0	6.13 157	5.00 127	0 0	2.00 51	1.38 35	4.00 102	4.69 119	7.88 200	5.88 149	7.38 187	3.75 95	9.00 229
CPBN0721	STD: 2-1/2" NPT OPT: 3" NPT	STD: 2-1/2" NPT OPT: 2" NPT & 3" NPT	5.62 143	1.16 29	5.75 146	4.56 116	0.81 21	2.00 51	1.50 38	3.38 86	4.56 116	8.69 221	6.69 170	10.19 259	4.50 114	8.19 208
CPBN1021	STD: 3" NPT OPT: 2-1/2" NPT	STD: 3" NPT OPT: 2" NPT 2-1/2" NPT	6.88 175	3.13 79	7.63 194	5.50 140	0 0	2.00 51	1.75 44	4.12 105	5.50 140	8.44 214	6.44 164	8.88 225	5.25 133	9.88 251
CPBN 1321	STD: 4" NPT	STD: 3" NPT OPT: 4" NPT	7.75 197	2.44 62	9.62 244	5.50 140	0.81 21	3.00 76	2.88 73	4.12 105	5.38 137	10.62 270	7.62 194	9.38 238	7.50 191	9.88 251
CPBN1521	STD: 4" NPT	STD: 4" NPT OPT: 3" NPT	7.75 197	2.44 62	9.62 244	5.50 140	0.81 21	3.00 76	2.88 73	4.12 105	5.38 137	10.62 270	7.62 194	9.38 238	7.50 191	9.88 251
CDBN0521	STD: 2" NPT OPT: 2-1/2" NPT	STD: 2" NPT OPT: 2-1/2" NPT & 1-1/2" NPT	6.13 157	0 0	6.13 157	5.00 127	0 0	2.00 51	1.38 35	4.00 102	4.69 119	7.88 200	5.88 149	7.38 187	3.75 95	9.00 229
CDBN1021	STD: 3" NPT OPT: 4" NPT	STD: 3" NPT OPT: 4" NPT	7.06 179	0 0	7.19 183	5.50 140	0 0	2.00 51	1.75 44	4.12 105	5.38 137	8.50 216	6.50 165	11.25 286	5.25 133	9.88 251
CDBN1321	STD: 4" NPT	STD: 3" NPT OPT: 4" NPT	7.75 197	2.44 62	9.62 244	5.50 140	0.81 21	3.00 76	2.88 73	4.12 105	5.38 137	10.62 270	7.62 194	9.38 238	7.50 191	9.88 251
CDBN1521	STD: 4" NPT	STD: 4" NPT OPT: 3" NPT	7.75 197	2.44 62	9.62 244	5.50 140	0.81 21	3.00 76	2.88 73	4.12 105	5.38 137	10.62 270	7.62 194	9.81 249	7.50 191	9.88 251

\*NOTE: For some models C1 and D2 will be 0. This denotes that the suction and/or discharge flange will be centered with the shaft.