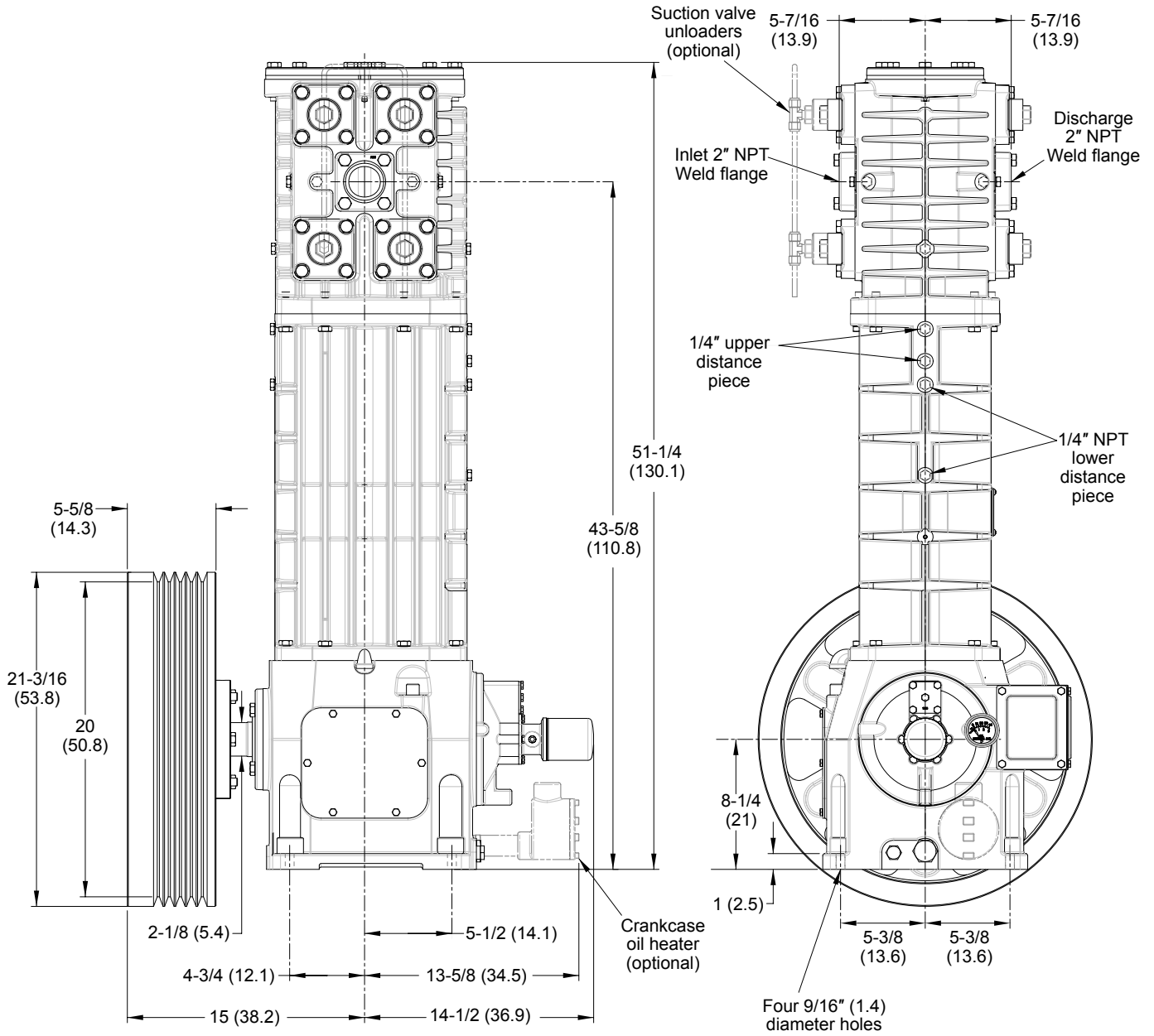


# Appendix C—Outline Dimensions

## Model T891 Bare Compressor with Flywheel



Inches (Centimeters)