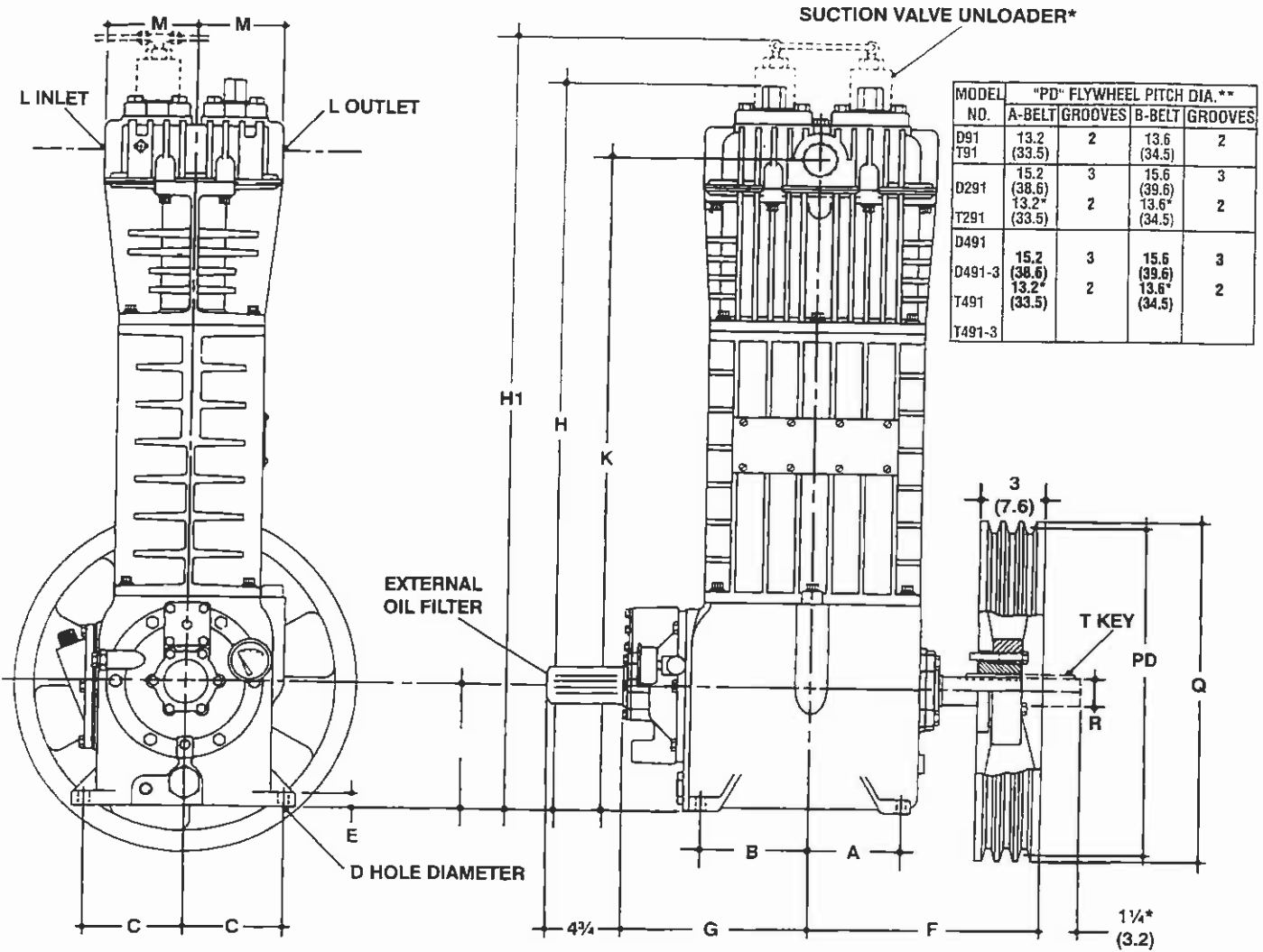


**MODEL D91, D291, T291, D491, D491-3, T491, T491-3
OUTLINE DIMENSIONS**

MAY 1997
SUPERSEDES EE300B



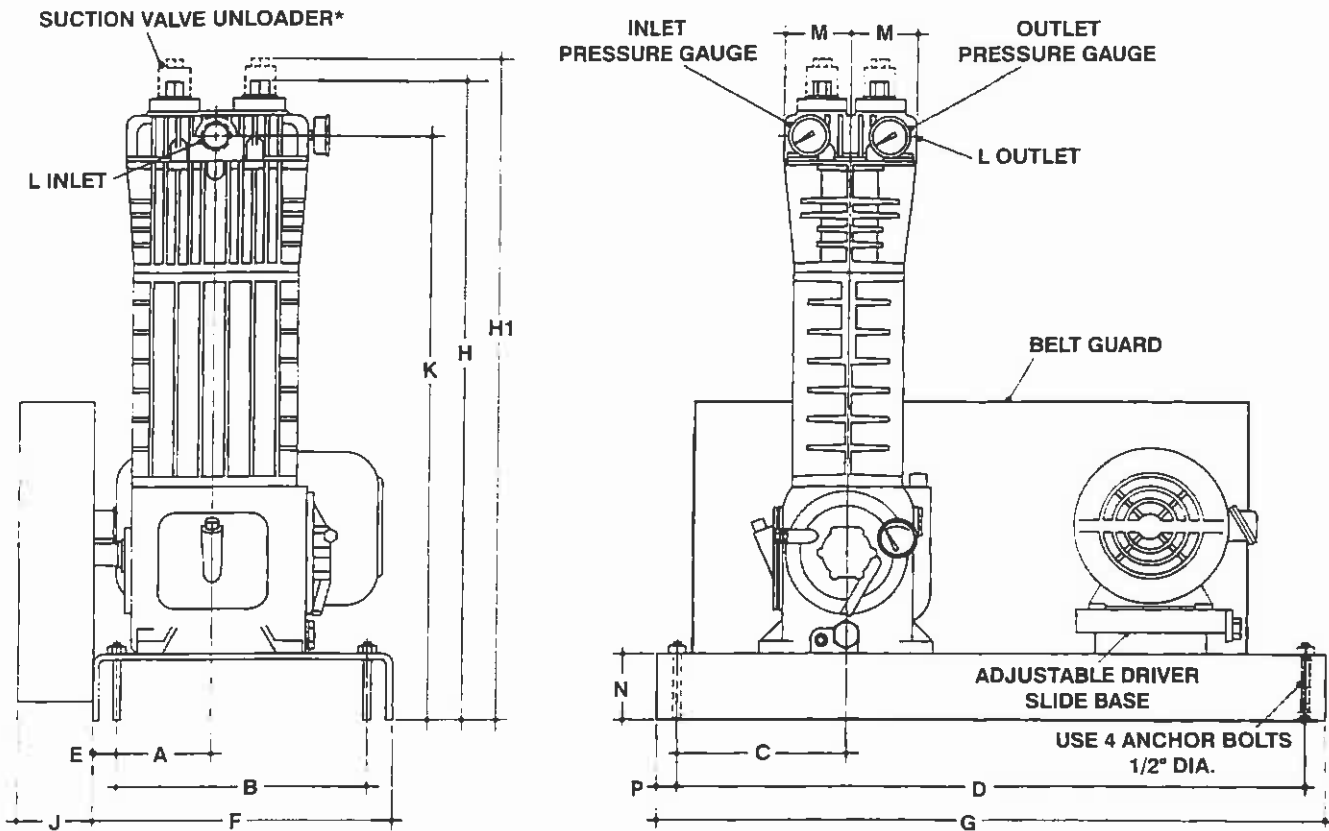
DIMENSIONS IN INCHES (CENTIMETERS)

MODEL NO.	A	B	C	D	E	F	G	H	H1	J	K	L	M	Q	R	T
D91	1 ¹³ / ₁₆ (4.6)	2 ³ / ₈ (6.0)	3 ¹ / ₁₆ (9.4)	1 ³ / ₃₂ (1.0)	5 ⁵ / ₈ (1.6)	6 ¹ / ₄ (15.9)	8 ⁵ / ₈ (21.9)	29 ⁵ / ₁₆ (74.5)	31 ¹¹ / ₁₆ (80.5)	5 (12.7)	26 ¹¹ / ₁₆ (67.8)	3 ³ / ₄ NPT	2 ² / ₈ (6.0)	14 (35.6)	1 ¹ / ₈ (2.8)	1 ¹ / ₄ (0.6)
T91								33 ³ / ₁₆ (84.6)	35 ¹¹ / ₁₆ (90.7)		30 ¹¹ / ₁₆ (77.9)					
D291	3 ³ / ₈ (8.6)	4 ¹ / ₈ (10.5)	3 ¹¹ / ₁₆ (9.4)	1 ³ / ₃₂ (1.0)	5 ⁵ / ₈ (1.6)	9 ¹³ / ₁₆ (24.9)	11 ⁷ / ₁₆ (29.0)	29 ¹³ / ₁₆ (75.7)	31 ¹ / ₄ (79.4)	5 ³ / ₈ (13.6)	27 ⁷ / ₁₆ (69.7)	3 ³ / ₄ NPT	2 ¹¹ / ₁₆ (6.8)	16 (40.6)	14* (35.6)	1 ¹ / ₄ (3.2)
T291								33 ¹³ / ₁₆ (85.9)	35 ¹ / ₄ (89.5)		32 ⁷ / ₁₆ (82.4)					
D491								34 ² / ₈ (87.3)	35 ¹³ / ₁₆ (91.0)		30 ¹³ / ₁₆ (78.3)					
D491-3	4 ¹ / ₈ (10.4)	5 (12.7)	4 ¹¹ / ₁₆ (11.9)	1 ¹ / ₂ (1.3)	1 ¹¹ / ₁₆ (1.7)	10 ¹¹ / ₁₆ (27.2)	12 ¹ / ₂ (31.8)	34 ¹ / ₂ (87.6)	35 ¹⁵ / ₁₆ (91.3)	5 ⁷ / ₈ (14.9)	30 ¹³ / ₁₆ (78.6)	1 ¹ / ₄ NPT	4 (10.2)	14* (35.6)	1 ¹ / ₈ (3.49)	5 ¹ / ₁₆ (0.8)
T491								39 ⁹ / ₁₆ (99.4)	40 ⁹ / ₁₆ (103.0)		35 ⁵ / ₁₆ (90.3)					
T491-3								39 ¹ / ₄ (99.7)	40 ¹¹ / ₁₆ (103.3)		35 ¹ / ₁₆ (90.6)					

*OPTIONAL
**OTHER SIZES AVAILABLE

MODEL D91, D291, T291, D491, D491-3, T491, T491-3
MOUNTING STYLE -103
OUTLINE DIMENSIONS

MAY 1997
SUPERSEDES EE301B



DIMENSIONS IN INCHES (CENTIMETERS)

MODEL NO	A	B	C	D	E	F	G	H	H1	J	K	L	M	N	P
D91-103	1 ¹ / ₁₆ (3.6)	12 (30.5)	7 ¹ / ₂ (19.0)	27 ¹ / ₂ (69.8)	1 ¹ / ₂ (3.8)	15 (38.1)	30 (76.2)	32 ² / ₁₆ (82.1)	34 ¹¹ / ₁₆ (88.1)	5 (12.7)	29 ¹¹ / ₁₆ (75.4)	3/4 NPT	2 ² / ₈ (6.0)	3 (7.6)	1 ¹ / ₄ (3.2)
T91-103								36 ⁵ / ₁₆ (92.2)	38 ⁷ / ₁₆ (98.3)		33 ⁷ / ₁₆ (85.6)				
D291	5 (12.7)	12 (30.5)	7 ³ / ₄ (19.7)	31 ¹ / ₂ (80.0)	1 ¹ / ₂ (3.8)	15 (38.1)	34 (86.4)	32 ¹³ / ₁₆ (83.3)	34 ³ / ₁₆ (86.8)	5 (12.7)	30 ⁷ / ₁₆ (77.3)	3/4 NPT	2 ¹ / ₁₆ (6.8)	3 (7.6)	1 ¹ / ₄ (3.2)
T291								36 ¹³ / ₁₆ (93.5)	38 ¹ / ₁₆ (97.0)		34 ⁷ / ₁₆ (87.5)				
D491-103								38 ⁷ / ₈ (97.5)	40 ⁷ / ₁₆ (102.0)		34 ¹³ / ₁₆ (88.4)				
D491-3-103	5 ³ / ₄ (14.6)	15 (38.1)	10 (25.4)	37 ¹ / ₂ (95.2)	1 ¹ / ₂ (3.8)	18 (45.7)	40 (102.0)	38 ¹ / ₄ (97.2)	39 ¹ / ₁₆ (100.0)	5 (12.7)	34 ¹¹ / ₁₆ (88.1)	1 ¹ / ₄ NPT	4 (10.2)	4 (10.2)	1 ¹ / ₄ (3.2)
T491-103								43 ¹ / ₈ (110.0)	45 ¹ / ₁₆ (114.6)		39 ⁹ / ₁₆ (100.0)				
T491-3-103								43 ¹ / ₄ (109.9)	45 ³ / ₁₆ (114.8)		39 ⁷ / ₁₆ (100.8)				

*OPTIONAL

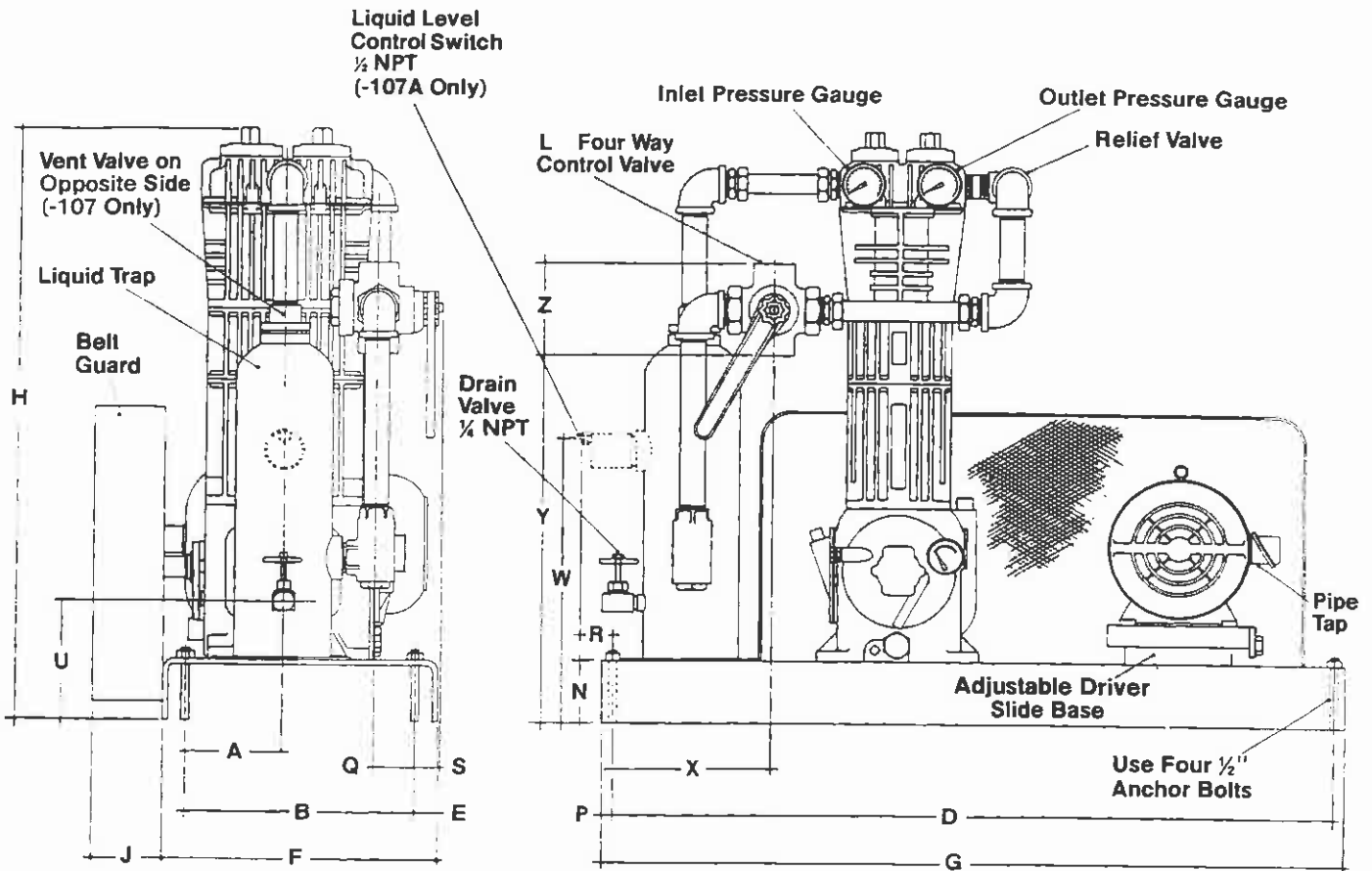
MODELS D91, T91, D291, T291, D491, D491-3, T491

MAY 1997

MOUNTING STYLES - 107, -107A

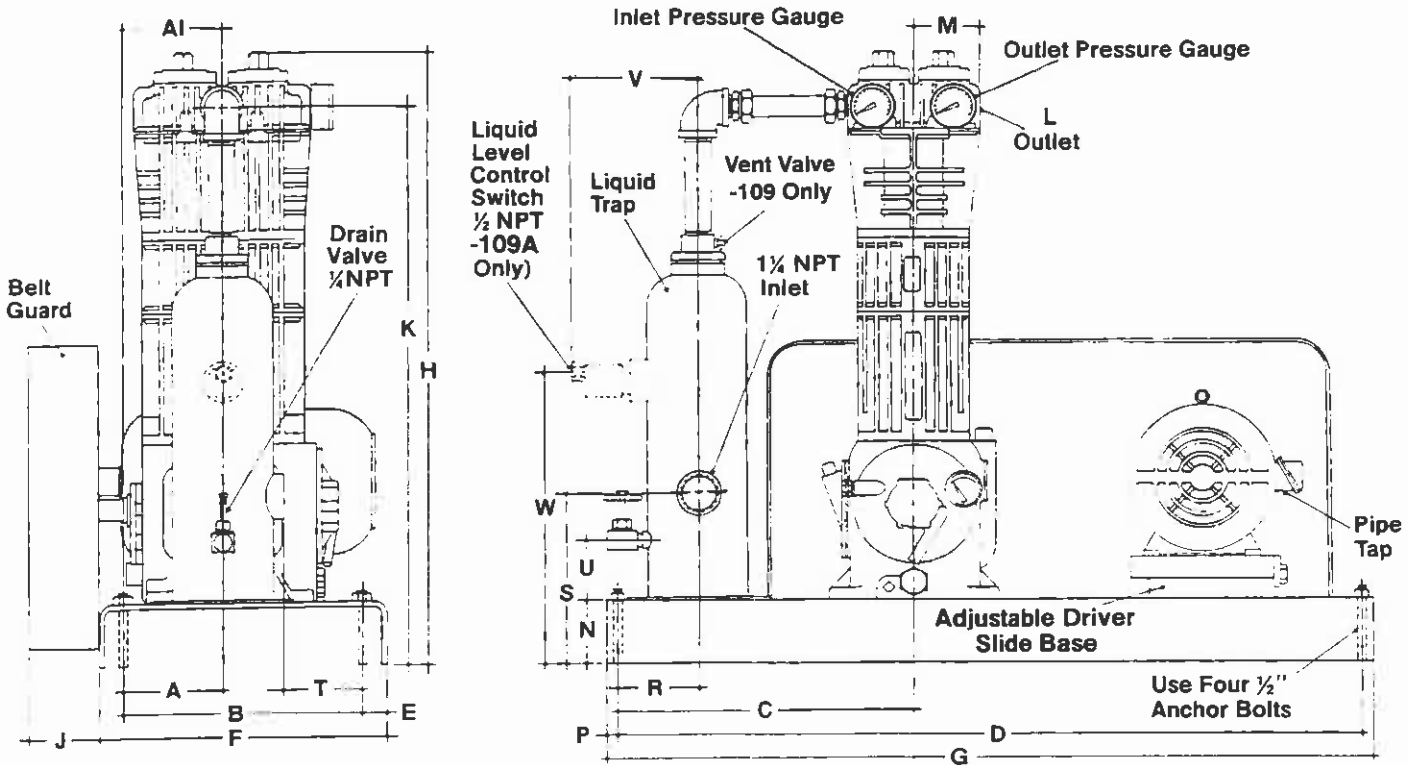
SUPERSEDES EE302A

OUTLINE DIMENSIONS



MODEL NO	A	B	D	E	F	G	H	J	L	N	P	O	R	S	U	W	X	Y	Z
D91-107	5	12	31 1/2	1 1/2	15	34	32 1/4	4	1	3	1 1/4	0	3 3/8	4 1/2	6 1/4	17 1/8	8 3/4	17 3/8	4 3/4
D91-107A							(82.1)												
T91-107	5	12	39 1/2	1 1/2	15	42	32 1/4	4 1/2	1	3	1 1/4	0	4 7/8	4 1/2	6 1/4	17 1/8	9 1/4	19 3/4	4 3/4
T91-107A							(83.1)												
D291-107	5	12	39 1/2	1 1/2	15	42	32 1/4	4 1/2	1	3	1 1/4	0	4 7/8	4 1/2	6 1/4	17 1/8	9 1/4	19 3/4	4 3/4
D291-107A							(83.1)												
T291	(12.7)	(30.4)	(100)	(3.81)	(38.1)	(107)	36 1/4	(11.4)	NPT	(7.62)	(3.18)	(0.00)	(10.6)	(11.4)	(17.2)	(43.5)	(23.4)	(50.2)	(11.1)
D491-107	5 3/4	15	45 1/2	1 1/2	18	48	38 3/8	4 1/2	1 1/4	4	1 1/4	2 1/4	4	1 1/8	7 1/2	18 1/8	9 3/4	23 3/4	6
D491-107A							(97.4)												
D491-3-107	(14.6)	(38.1)	(116)	(3.81)	(45.7)	(122)	43 3/8	(11.0)											
D491-3-107A							(97.4)												
T491-107	(14.6)	(38.1)	(116)	(3.81)	(45.7)	(122)	43 3/8	(11.0)											
T491-107A							(97.4)												

OUTLINE DIMENSIONS



MODEL NO	A	A1	B	C	D	E	F	G	H	J	K	L	M	N	P	R	S	T	U	V	W
D91-109									32 ⁹ / ₁₆		29 ¹ / ₁₆	3/4	2 ³ / ₈	3	1 ¹ / ₄	3 ¹ / ₄	9 ¹ / ₂	3	3 ³ / ₄	8	17 ¹ / ₈
D91-109A	5	1 ⁷ / ₁₆	12	12	31 ¹ / ₂	1 ¹ / ₂	15	34	(82.0)	4	(75.4)	NPT	(6.03)	(7.62)	(3.18)	(7.78)	(24.1)	(7.62)	(9.52)	(20.3)	(43.5)
T91-109									36 ⁵ / ₁₆		33 ¹ / ₁₆										
T91-109A									(82.0)		(85.6)										
D291-109									32 ¹ / ₁₆	4 ¹ / ₂	30 ⁷ / ₁₆	3/4	2 ¹ / ₁₆	3 ¹ / ₂	1 ¹ / ₄	3 ³ / ₁₆	9 ¹ / ₂	2 ³ / ₄	3 ³ / ₄	8	17 ¹ / ₈
D291-109A	5	5	12	15 ¹ / ₄	39 ¹ / ₂	1 ¹ / ₂	15	42	(83.3)	(11.4)	(77.3)	NPT	(6.83)	(7.62)	(3.18)	(9.68)	(24.1)	(6.99)	(9.52)	(20.3)	(43.5)
T291-109									36 ⁵ / ₁₆		34 ⁷ / ₁₆										
T291-109A									(93.5)		(87.4)										
D491-109									38 ⁵ / ₈		34 ⁹ / ₁₆										
D491-109A	5 ³ / ₄	5 ³ / ₄	15	18	45 ¹ / ₂	1 ¹ / ₂	18	48	(97.4)	4 ¹ / ₂	(88.4)		4	4	1 ¹ / ₄	4	10 ¹ / ₂	5	3 ³ / ₄	8	18 ¹ / ₈
D491-3-109									38 ¹ / ₄		34 ¹ / ₁₆	NPT	(10.1)	(10.1)	(3.18)	(10.1)	(26.6)	(12.7)	(9.52)	(20.3)	(46.0)
D491-3-109A									(97.1)		(88.1)										
T491-109									43 ⁷ / ₈		39 ⁵ / ₈										
T491-109A									(110)		(101)										