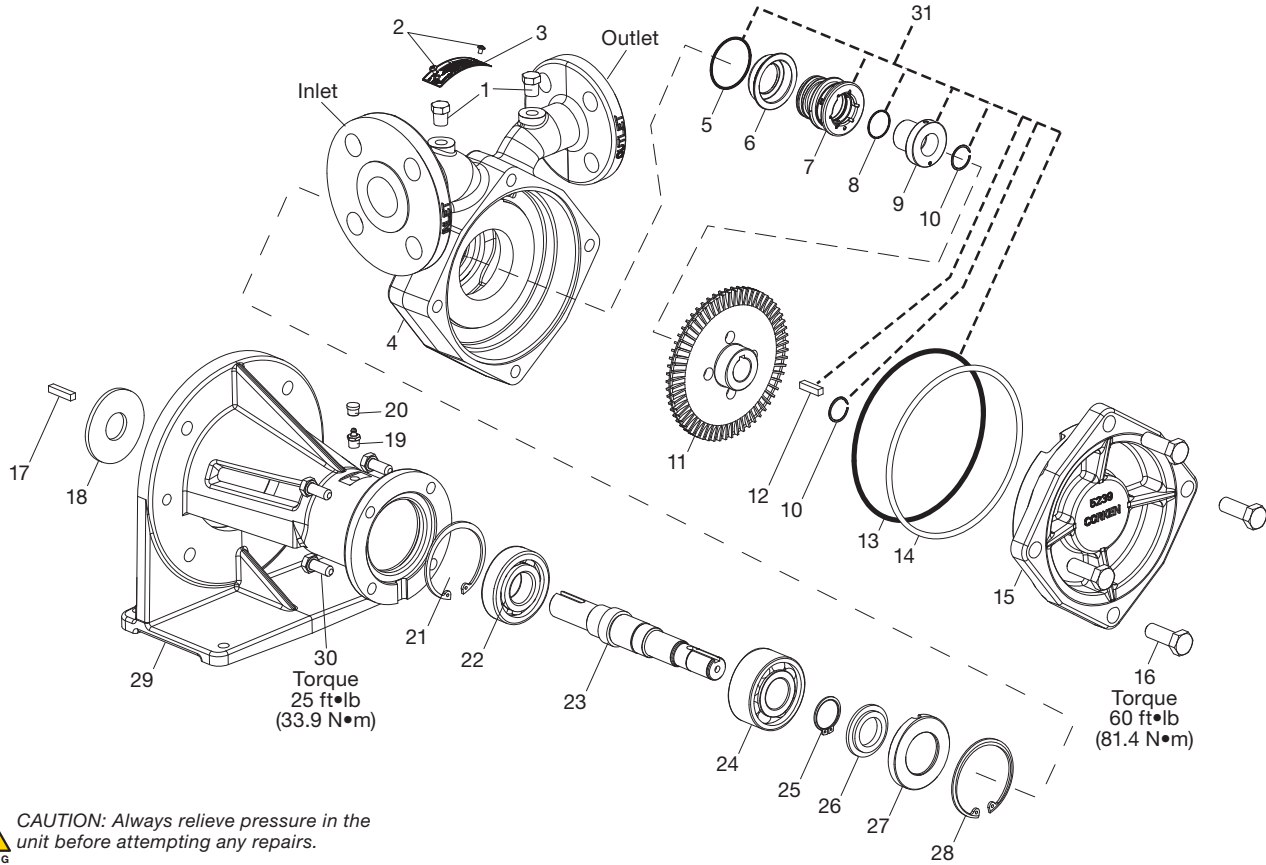


Appendix E—Parts Details for Models 060, 075, and 150 Coro-Flo® Pumps

Direct Mount ASME Class 300 RF (ANSI) Flange (DLF) and Din Flange (DLD)



CAUTION: Always relieve pressure in the unit before attempting any repairs.

Ref No.	Part No.	Description	Qty.
1.	3442	Pipe plug, 1/4"	2
2.	7012-0065F019E	Nameplate screw	2
3.	1914-1	Nameplate	1
4.	5238-060	Case—model 060, ASME Class 300 RF flange (FF)	1
	5238-75	Case—model 075, ASME Class 300 RF flange (FF)	1
	5238	Case—model 150, ASME Class 300 RF flange (FF)	1
	5238-061	Case—model 060, DIN flange (FD)	1
	5238-751	Case—model 075, DIN flange (FD)	1
	5238-1	Case—model 150, DIN flange (FD)	1
5.	2-133 ^{a, b}	Seal housing O-ring	1
6.	5244-1X	Seal housing assembly	1
7.	Not sold separately ^b	Seal sub assembly	1
8.	2-018 ^{a, b}	Seal sleeve O-ring	1
9.	Not sold separately ^b	Seal sleeve assembly	1
10.	2760-883	Retainer ring, 7/8"	1
11.	5240-060	Impeller, bronze—model 060	1
	5240-75	Impeller, bronze—model 075	1
	5240	Impeller, bronze—model 150	1
	5240-061	Impeller, stainless steel—model 060	1
	5240-751	Impeller, stainless steel—model 075	1
	5240-1	Impeller, stainless steel—model 150	1
	5240-062	Impeller, steel—model 060	1
	5240-752	Impeller, steel—model 075	1
5240-2	Impeller, steel—model 150	1	
12.	42443	Impeller key	1
13.	2-260 ^{a, b}	Case O-ring	1

Ref No.	Part No.	Description	Qty.
14.	5248 ^c	Case clearance shim	1
15.	5239-060	Cover—model 060	1
	5239-75	Cover—model 075	1
	5239	Cover—model 150	1
16.	7301-140MC040A	Bolt (hex head, M14-2 x 40 mm)	4
17.	3226	Shaft key	1
18.	4377	Bearing plate	1
19.	2158	Grease zerk	1
20.	2159	Lubricap	1
21.	5000-281	Retainer ring	1
22.	4378	Single row ball bearing	1
23.	5241-2	Shaft	1
24.	2758	Double row ball bearing	1
25.	5102-118	Retainer ring	1
26.	1006	Grease seal	1
27.	1238	Bearing cap	1
28.	5002-281	Retainer ring	1
29.	4298	Mounting frame—NEMA	1
	4298-1	Mounting frame—IEC	1
30.	7301-100MC025A	Bolt (hex head, M10-1.5 x 25 mm)	4
31.	3189-1X ^{6 a}	Seal assembly	1

^a Denotes material code

^b Included in seal assembly 3189-1X^{6 a}

^c The case clearance shim only applies to models prior to serial number prefix YU. For a complete explanation of Corken's serial number prefix codes, see page A400 (latest version) located in the "Policy and Prices" section of the sales catalog or service manual.

^d Registered trademark of the DuPont company

Material Code	
A	Buna-N
B	Neoprene ^{®d}
D	Viton ^{®d}
G	Ethylene propylene
K	Kalrez ^{®d}