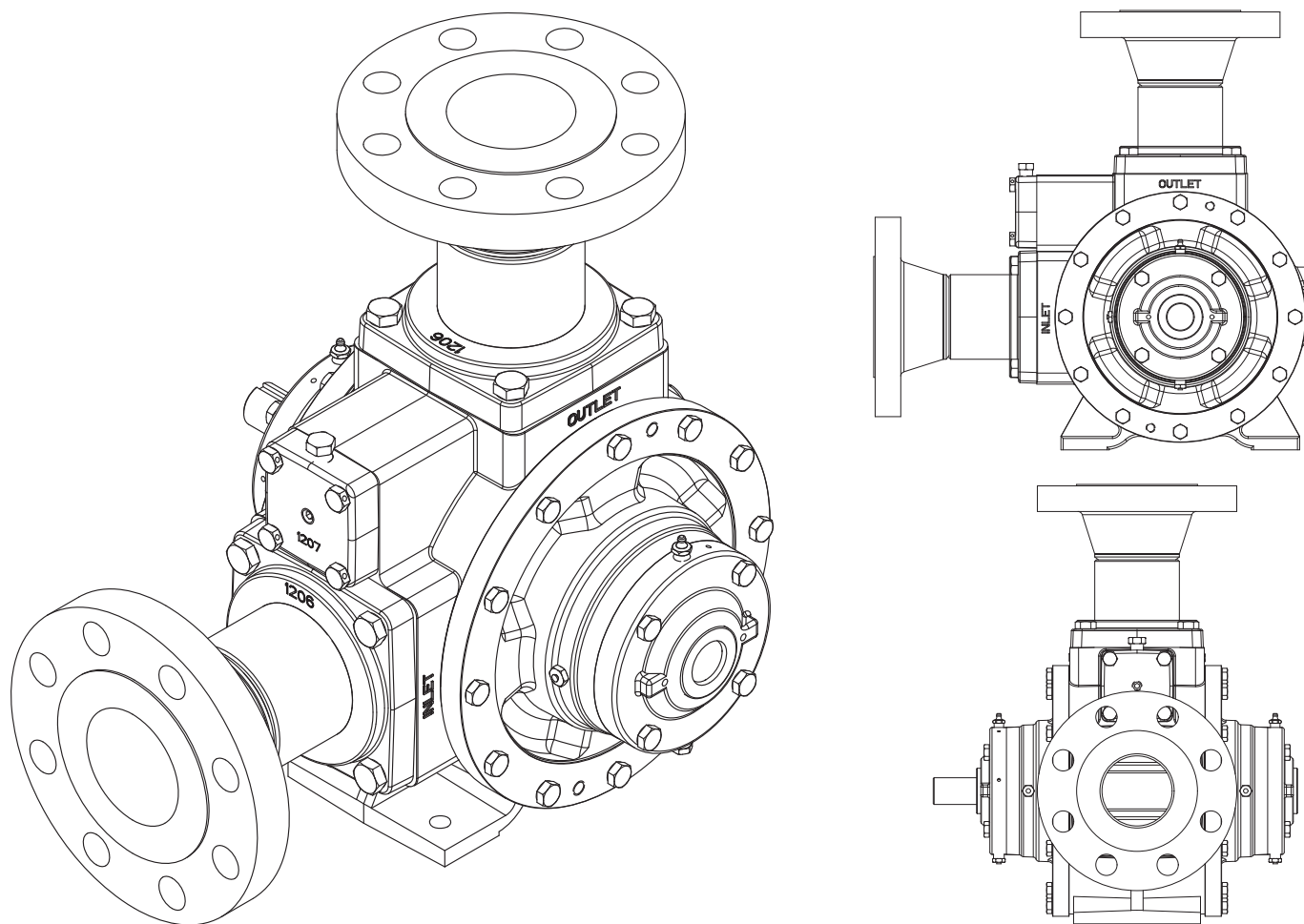


# ANSI Flange Kits

Sales Bulletin  
No. 250  
September 2014

## Did you know our sliding vane pumps can be outfitted with raised face ANSI flanges?

We now have ANSI flange kits available for any sliding vane pump that normally has national pipe thread (NPT) or weld neck flanges. Why is this important? It allows you to add ANSI flanges to a pump that has an internal relief valve. The flange kits are compatible with all of the CPBN, CDBN, PT, PZ, and Z series pumps. For a complete list of kit numbers and available flange sizes, see the table listed below.



Part Number	Description
3208-X1	2" ANSI 150# RF
3203-X1	3" ANSI 150# RF
3204-X1	4" ANSI 150# RF
3208-X2	2" ANSI 300# RF
3203-X2	3" ANSI 300# RF
3204-X2	4" ANSI 300# RF

Solutions beyond products...  
**CORKEN**  
IDEX

CORKEN, INC. • A Unit of IDEX Corporation  
9201 North I-35 Service Road, Oklahoma City, OK. 73131 U.S.A.  
Phone (405) 946-5576 • FAX (405) 948-7343  
Visit our website at <http://www.corken.com>  
E-mail us at [cocsalesdept@idexcorp.com](mailto:cocsalesdept@idexcorp.com)