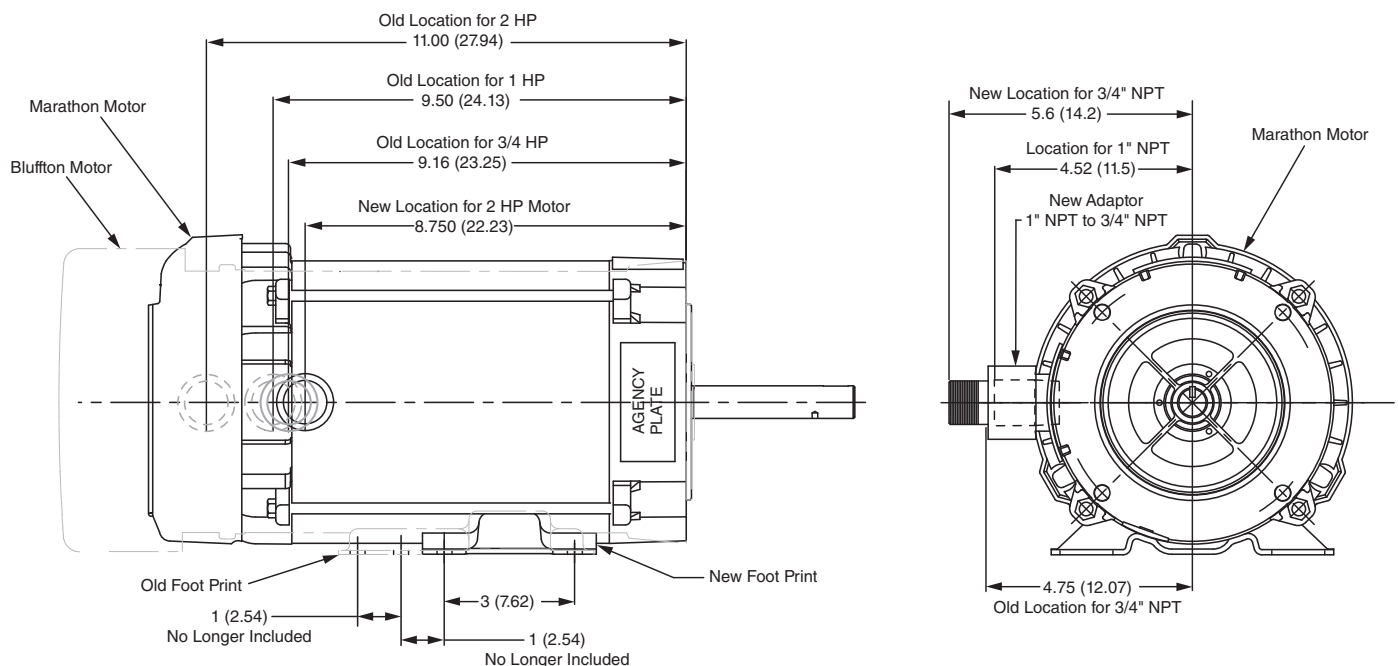


# Electric Motor Change

Sales Bulletin  
No. 251  
February 2015

Effective immediately, the 1 HP Bluffton motor currently used on Coro-Flo regenerative turbine pump models C10, C12, C13, CF10, CF12, and CF13 is being replaced with a 2 HP Marathon motor. The new motor configurations are 2 HP (standard) and 3 HP (optional). The dimensions for the new 2 HP Marathon motor are slightly different than the previously used 1 and 2 HP Bluffton motors so the conduit location and foot print will change. The illustration below is a dimensional comparison between the previously used Bluffton motors (3/4, 1, and 2 HP) and the new 2 HP Marathon motor. If you are replacing one of the models mentioned above or installing a new one, please review the new dimensions carefully before mounting the 2 HP Marathon motor or installing the electrical piping.

*Please note: The S-30 and SM-30 switch assemblies for the 2 HP motor do not include thermal override protection.*



## Benefits:

- Since the amperage for the new 2 HP Marathon motor is nearly identical to the 1 HP Bluffton motor at the same differential pressure, the wire size for the electrical connection may not change (see IF101 for details).
- Capable of higher differential pressures without overloading the motor.
- The new 2 HP Marathon motor comes standard and will continue to use the same part number (P.N. 4261).
- The reduction in motor configurations simplifies inventory requirements.

Solutions beyond products...  
**CORKEN**  
IDEX

CORKEN, INC. • A Unit of IDEX Corporation  
9201 North I-35 Service Road, Oklahoma City, OK. 73131 U.S.A.  
Phone (405) 946-5576 • FAX (405) 948-7343  
Visit our website at [www.corken.com](http://www.corken.com)  
E-mail us at [co-salesdept@idexcorp.com](mailto:co-salesdept@idexcorp.com)



@CorkenInc

