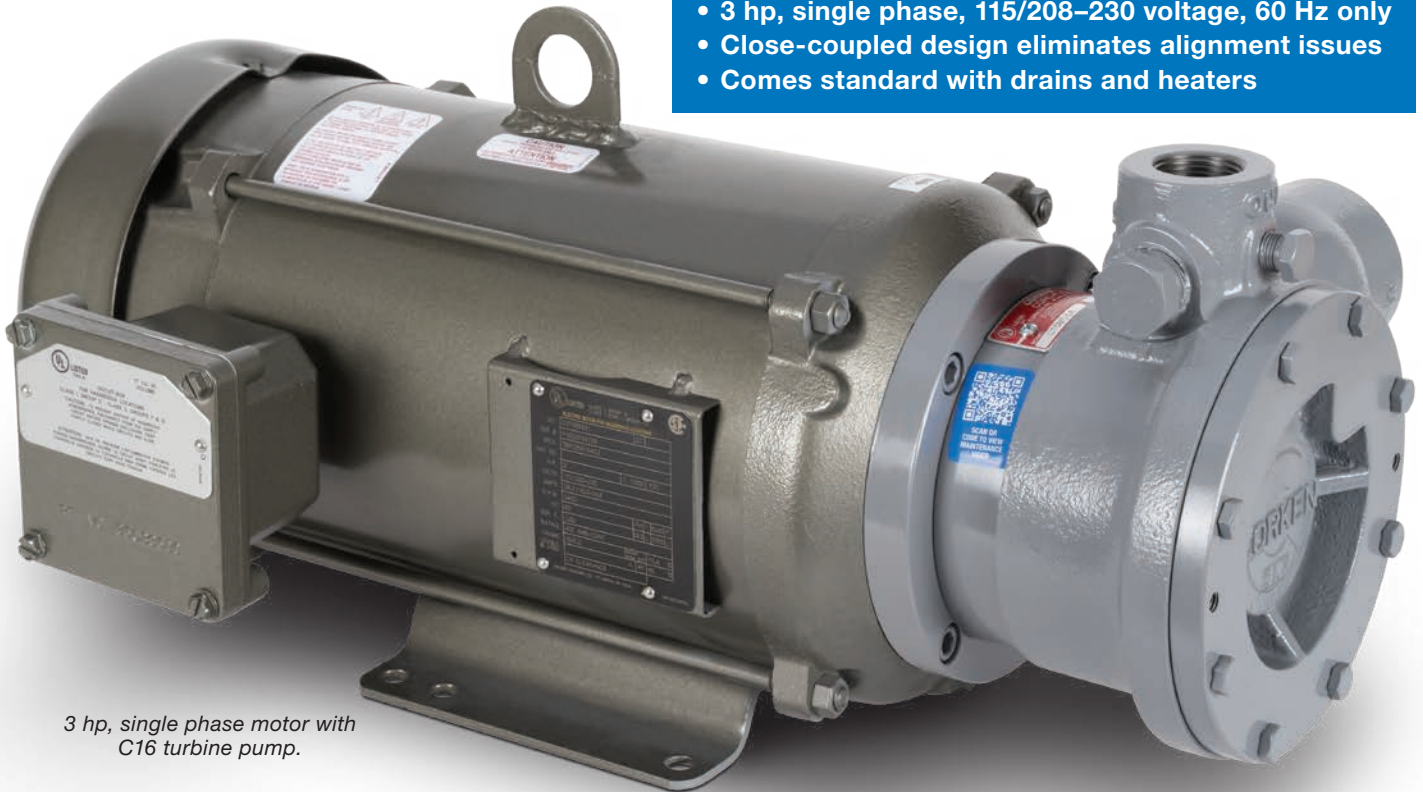


## New 3 HP, Single Phase Motor For All C-Model Turbine Pumps

Corken now offers a single phase 3 hp motor for all C-Model, close-coupled, turbine pumps. The new part number is 4885 and the letter “M” in the model number configuration string is the designator (e.g. model C16MD6A).

### Specifications and Features:

- 3 hp, single phase, 115/208–230 voltage, 60 Hz only
- Close-coupled design eliminates alignment issues
- Comes standard with drains and heaters



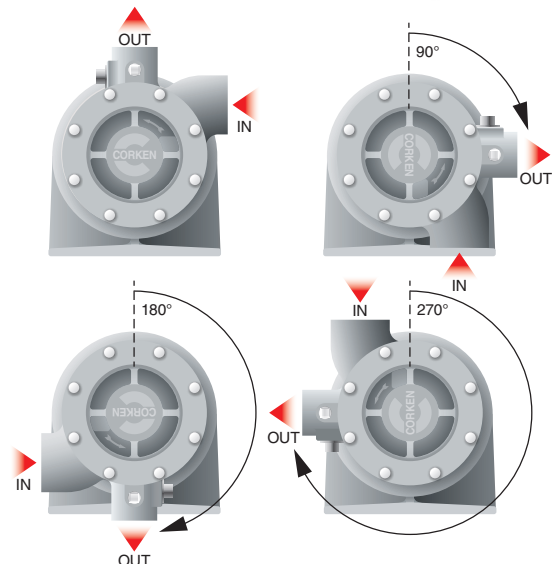
3 hp, single phase motor with C16 turbine pump.

### Wire Sizing Chart

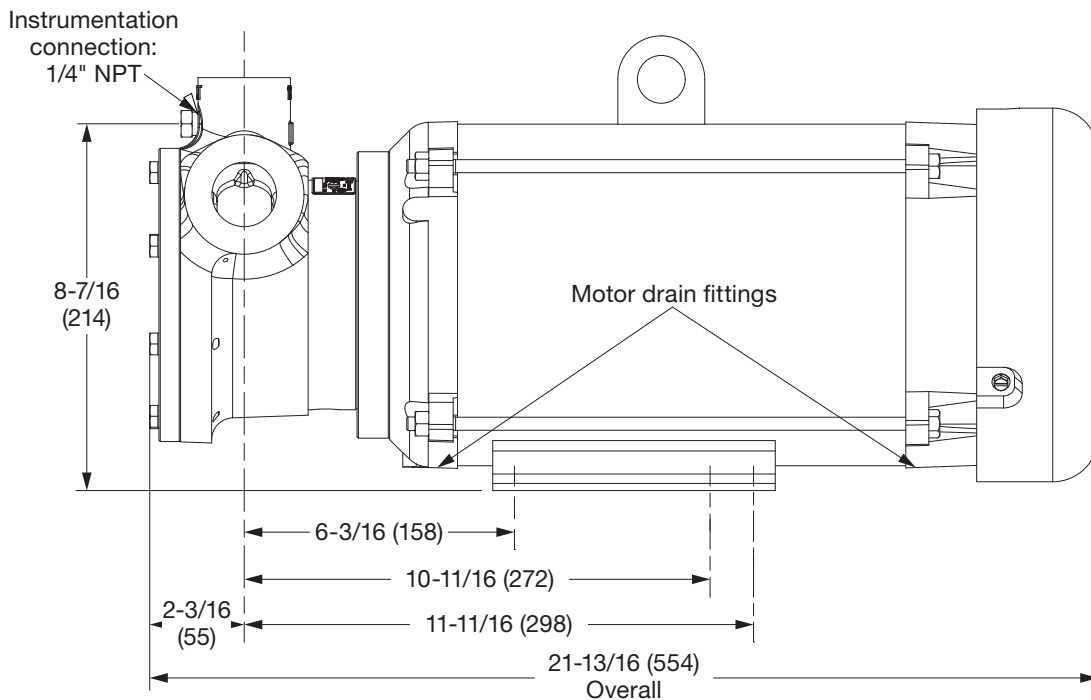
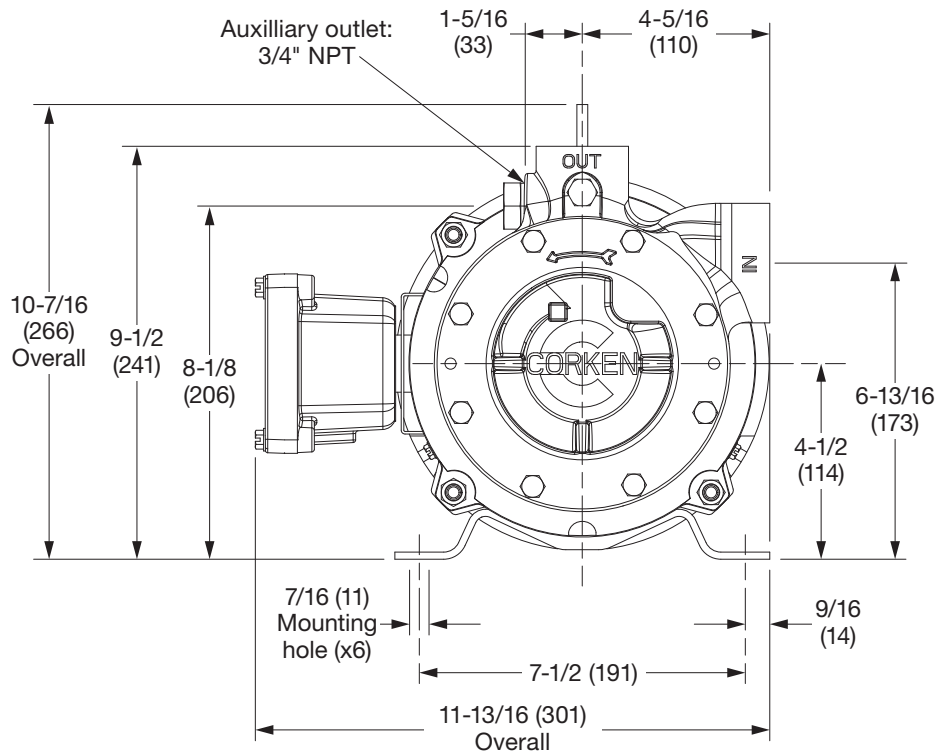
Model	All C-Models	
Motor Part No.	4885	
Hp	3	
Phase	1	
Voltage	115	208–230
Approximate Full Load Amperage	29	14.5
Minimum Wire Size, AWG Length of Run in Feet		
0–100	6	12
to 200	4	8
to 300	2	8
Wiring Connections	115V	230V

### Nozzle Rotation

The pump nozzles may be rotated into four different positions, 90 degrees apart, if desired.



## Outline Dimensions



All dimensions are in inches (millimeters).

Solutions beyond products...

**CORKEN**®

CORKEN, INC. • A Unit of IDEX Corporation  
 9201 North I-35 Service Road, Oklahoma City, OK. 73131 U.S.A.  
 Phone (405) 946-5576 • FAX (405) 948-7343  
 Visit our website at [www.corken.com](http://www.corken.com)  
 E-mail us at [cocsalesdept@idexcorp.com](mailto:cocsalesdept@idexcorp.com)



@CorkenInc

