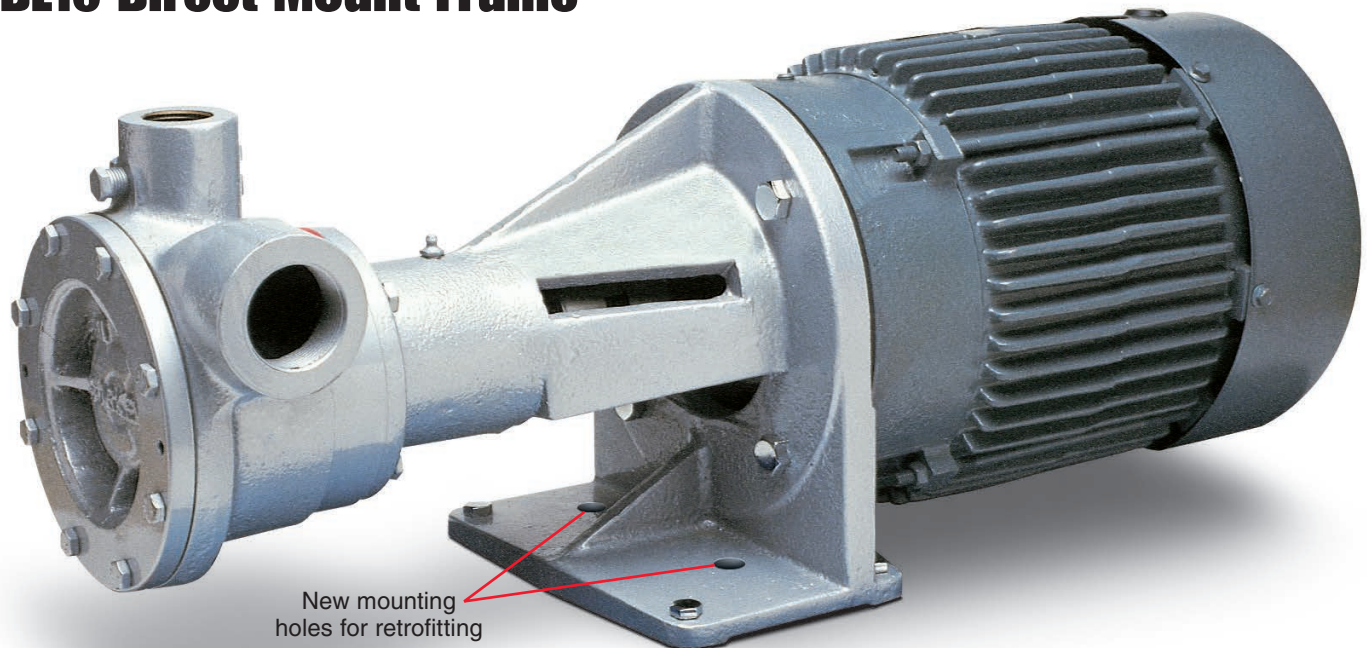


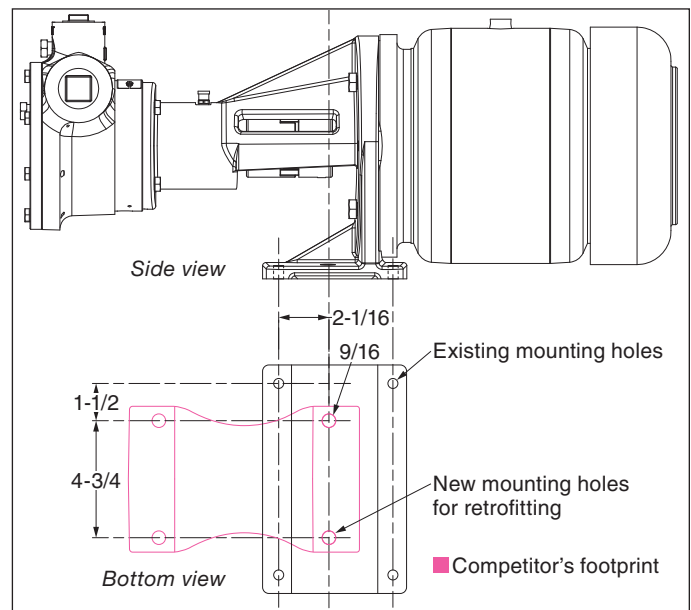
DL16 Direct Mount Frame



The direct mount DL frame (p.n. 4298^a) has been updated. The standard four hole bolt pattern has been replaced with a new six hole bolt pattern. The new holes are located in the center of the foot (see illustration). A two or four hole bolt pattern offers more flexibility when retrofitting the competition.

Features:

- The DL16 frame mounts to competitor's motor with the use of shorter bolts/fasteners.
- The DL16 pump has a silicon carbide seal seat that lowers leakage rates, minimizes maintenance, increases durability, and lengthens run times. Silicon carbide is widely accepted as the best seal face material in the industry.



^a This frame is used with models 10, 12, 13, 14, 16, and 17.

Solutions beyond products...

CORKEN®

CORKEN, INC. • A Unit of IDEX Corporation
9201 North I-35 Service Road, Oklahoma City, OK. 73131 U.S.A.
Phone (405) 946-5576 • FAX (405) 948-7343
Visit our website at www.corken.com
E-mail us at cocsalesdept@idexcorp.com



@CorkenInc

