

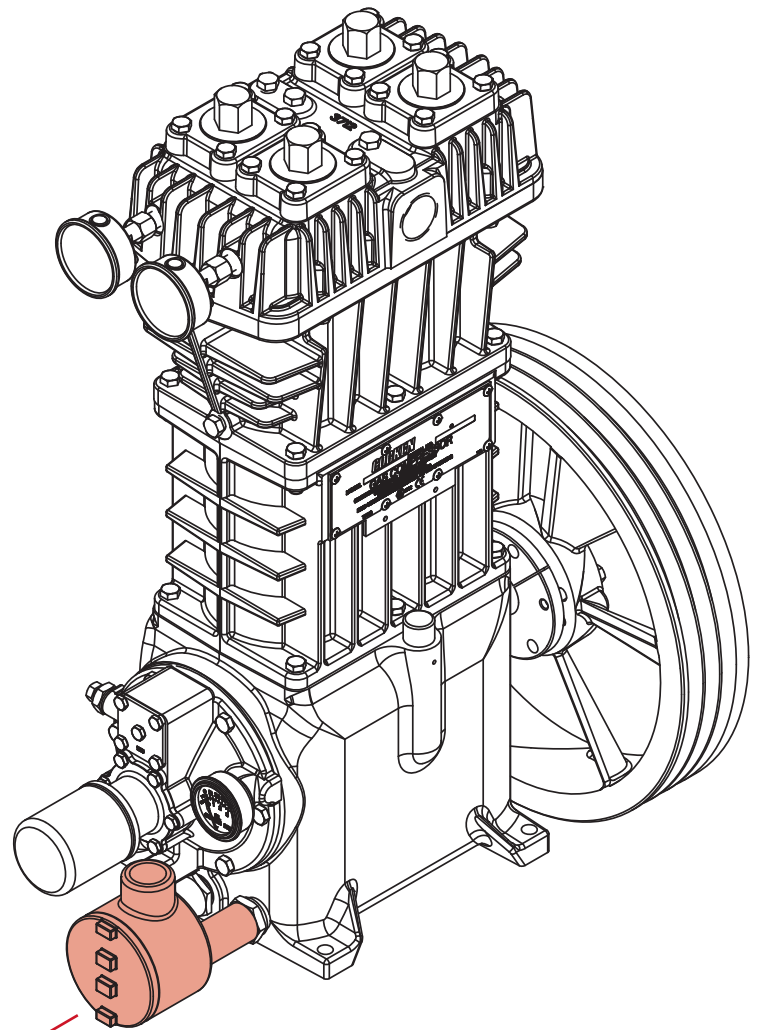
## Crankcase Heaters

### Cautionary Operating Instructions

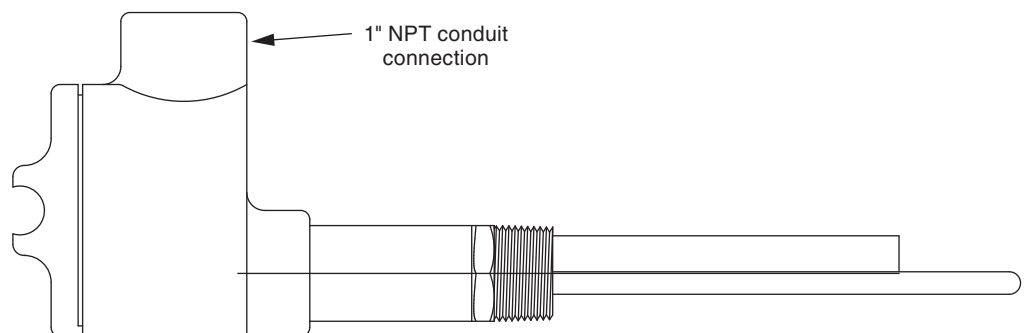
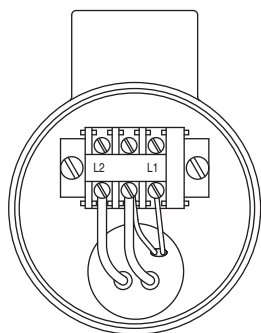
This service bulletin provides cautionary instructions for operating Corken's crankcase heaters and applies to part numbers 3450 (120V) and 3450-1 (240V). To ensure safe operation, please follow each step carefully:

- The heating element must always be completely submerged in oil when energized.
- Always disconnect power to the crankcase heater before draining the compressor's oil or prior to performing any maintenance or repairs.
- After disconnecting the power always allow sufficient time for the heating element to cool before accessing the inside of the crankcase.

Please contact Corken if you have any questions.



### 3450 & 3450-1 Crankcase Heaters



*Solutions beyond products...*

**CORKEN**  
IDEX

CORKEN, INC. • A Unit of IDEX Corporation  
9201 North I-35 Service Road, Oklahoma City, OK. 73131 U.S.A.  
Phone (405) 946-5576 • FAX (405) 948-7343  
Visit our website at [www.corken.com](http://www.corken.com)  
E-mail us at [co-salesdept@idexcorp.com](mailto:co-salesdept@idexcorp.com)



@CorkenInc

